



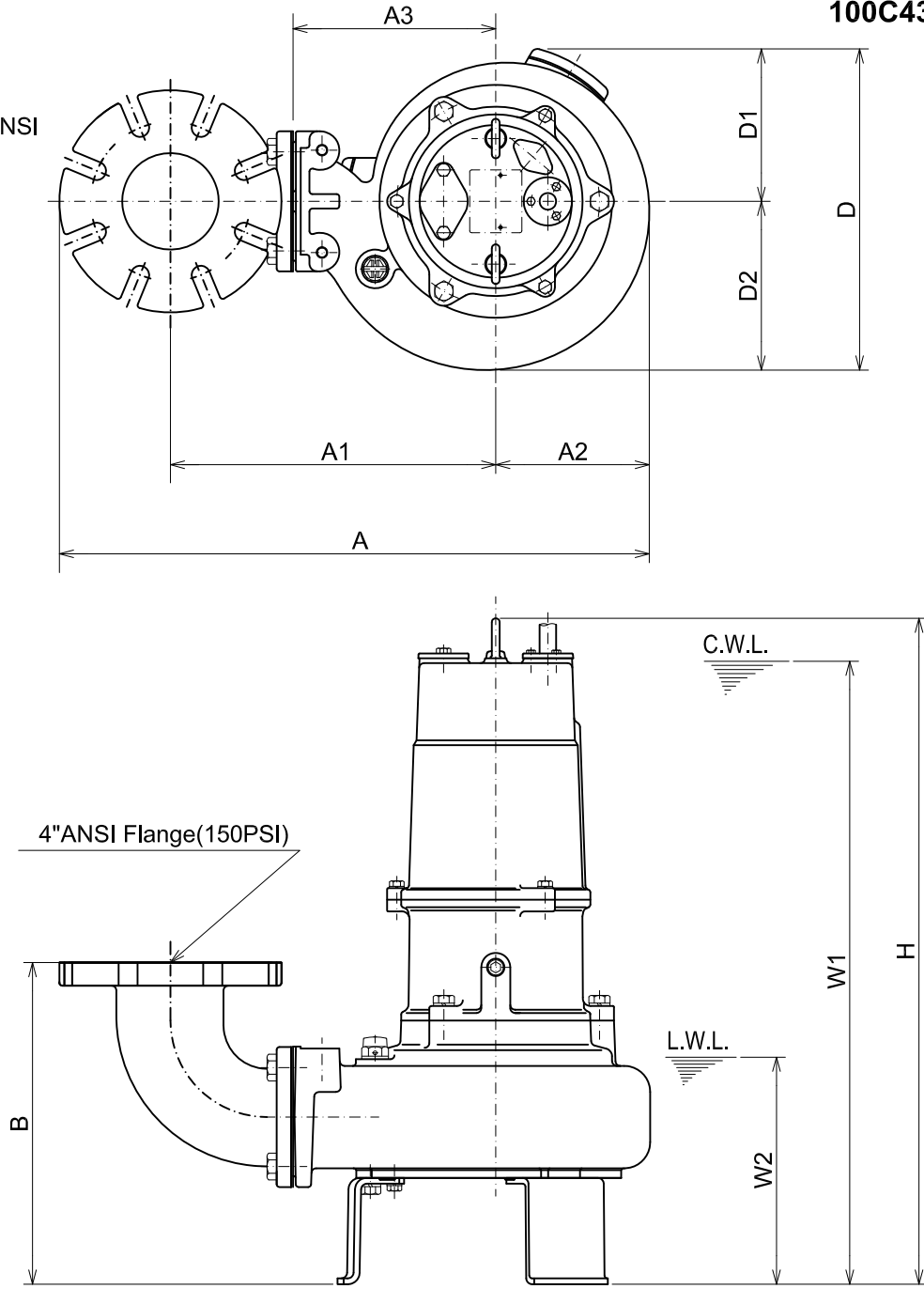
TSURUMI PUMP

**C-SERIES
CUTTER - TYPE - SEWAGE & WASTEWATER PUMPS**

DIMENSIONS

100C43.7-CR -63

Bend model:
BEND80-100 ANSI



C.W.L. : Continuous running Water Level
L.W.L. : Lowest running Water Level

DIMENSIONS:USCS(Inch)

Model	HP	NOM. SIZE	Pump & Motor									C.W.L. W1	L.W.L. W2	*Wt. (lbs.)
			A	A1	A2	A3	B	D	D1	D2	H			
100C43.7-CR -63	5	4"	24 3/8	13 9/16	6 1/4	8 1/4	13 1/8	13 1/8	6 1/4	6 7/8	27 3/16	25 3/8	9 1/4	183

DIMENSIONS:METRIC(mm)

Model	kW	NOM. SIZE	Pump & Motor									C.W.L. W1	L.W.L. W2	*Wt. (kg)
			A	A1	A2	A3	B	D	D1	D2	H			
100C43.7-CR -63	3.7	100	619	345	159	210	333	333	158	175	690	645	235	83

*Excluding Cable.